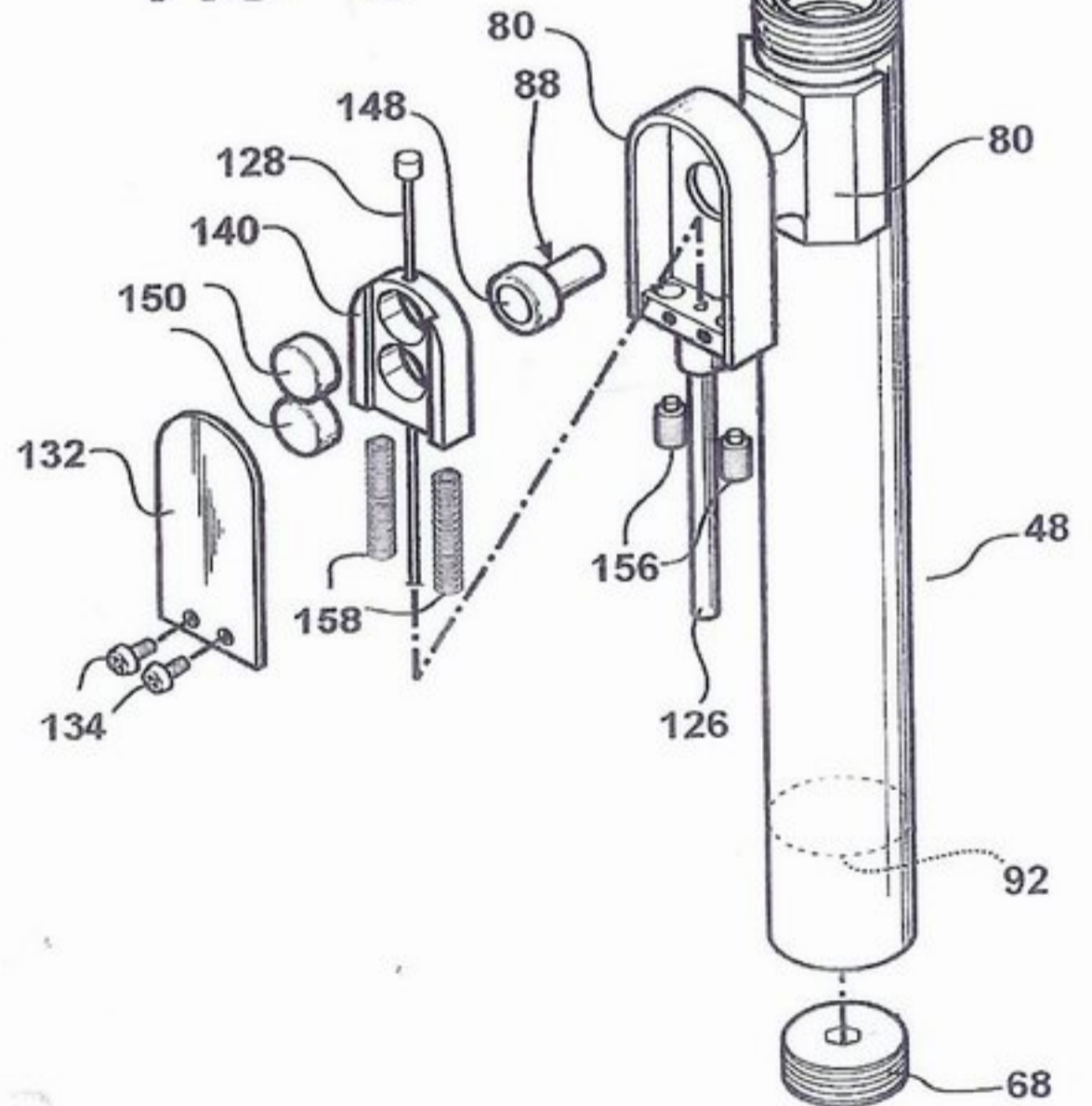


- 17- Top Clamp nuts
- 20- Switch Clamp
- 22- Inside Tube
- 24- Switch Body
- 26- Top Seat Clamp
- 28- Seat Rod
- 29- 4/40 set screws (takes a .050 American Allen wrench)
- 36- Top clamp bolts Size 10-32 x 1 3/4 long American

**FIG - 2**



- 42- Shims
- 44-Grooves for shims
- 48- Outside Tube
- 50- Half Moon
- 52- Top Cap
- 56- Seal
- 58- Ridge where boot sits
- 62- Bushing
- 64- Switch Lid
- 68- Bottom Cap Nut
- 72- Switch Lid Screw (size M3x.5x 6mm)
- 74-Plastic Bottom Cap
- 76- Large Main Spring
- 80- Gravitydropper Unit
- 82- Switch Arm
- 86- Switch Cap Screws (size M4x.7x20mm)
- 88- Pin
- 92- bottom cap limit thread line
- 102- Top and bottom holes
- 126- Cable Housing
- 128- Standard Gear Cable
- 132- Gravitydropper lid
- 134- Cap Screws (size M3x.5x6mm)
- 140- Magnetic Slider Bar
- 148- Magnet in pin
- 150- Magnets
- 156- Tension Set Screws
- 158- Slider bar springs
- 176- Top clamp nuts